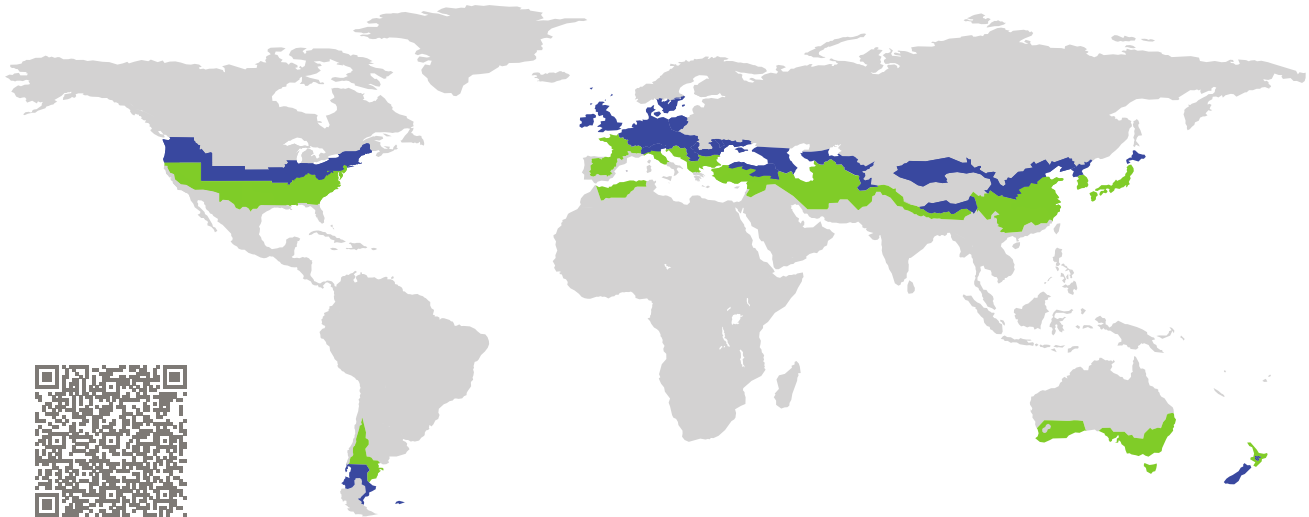


# CERTIFICATE

Certified Passive House Component

Component-ID 0473rw03 valid until 31st December 2023

Passive House Institute  
Dr. Wolfgang Feist  
64283 Darmstadt  
Germany

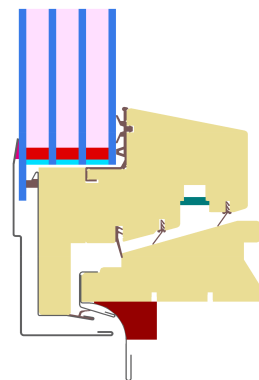


Category: **Rooflight**  
Manufacturer: **FAKRO PP sp. z o.o.,  
Nowy Sacz,  
Poland**  
Product name: **FTT U8 Thermo 2012**

**This certificate was awarded based on the following  
criteria for the cool, temperate climate zone**

Comfort  $U_{RL} = 0.70 \leq 1.10 \text{ W}/(\text{m}^2 \cdot \text{K})$   
 $U_{RL, \text{installed}} \leq 1.10 \text{ W}/(\text{m}^2 \cdot \text{K})$   
with  $U_g = 0.41 \text{ W}/(\text{m}^2 \cdot \text{K})$

Hygiene  $f_{Rsi=0.25} \geq 0.70$



Passive House  
efficiency class

phE

phD

phC

phB

phA

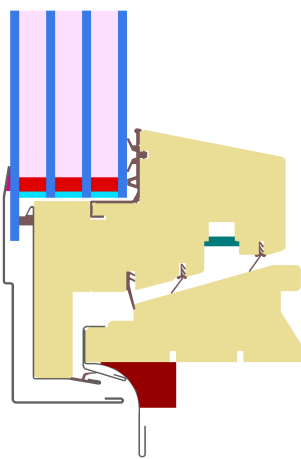
[www.passivehouse.com](http://www.passivehouse.com)

cool, temperate climate

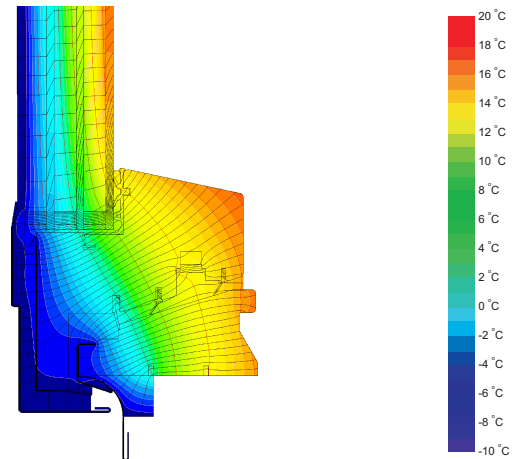


**CERTIFIED  
COMPONENT**

Passive House Institute



Calculation model



Isothermal

## Description

Timber roof window frame (0,115 W/(mK)), insulated on the outside (0,042 W/(mK)), clad by aluminium. A quadrouple glazing is used. Used Pane: 52 mm (4/12/4/12/4/12/4), intersection of the Glass: 20 mm.

## Explanation

The window U-values were calculated for the test window size of 1.14 m × 1.40 m with  $U_g = 0.41 \text{ W}/(\text{m}^2 \cdot \text{K})$ . If a higher quality glazing is used, the window U-values will improve as follows:

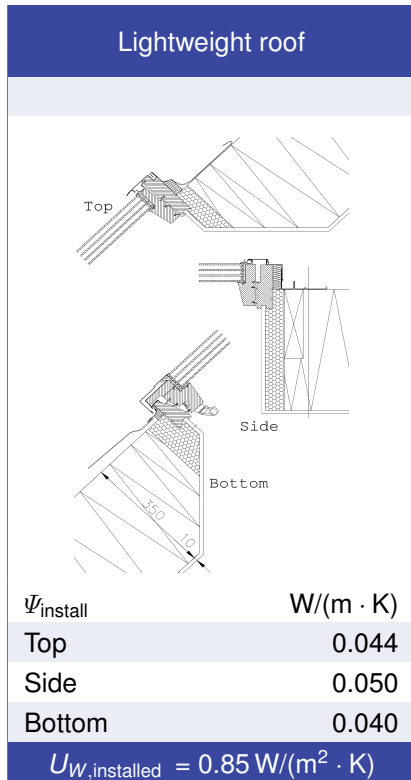
Glazing	$U_g =$	0.41	1.00	0.83	0.76	W/(m <sup>2</sup> · K)
		↓	↓	↓	↓	
Window	$U_W =$	0.70	1.12	1.00	0.95	W/(m <sup>2</sup> · K)

Transparent building components are classified into efficiency classes depending on the heat losses through the opaque part. The frame U-Values, frame widths, thermal bridges at the glazing edge, and the glazing edge lengths are included in these heat losses. A more detailed report of the calculations performed in the context of certification is available from the manufacturer.

The Passive House Institute has defined international component criteria for seven climate zones. In principle, components which have been certified for climate zones with higher requirements may also be used in climates with less stringent requirements. In a particular climate zone it may make sense to use a component of a higher thermal quality which has been certified for a climate zone with more stringent requirements.

Further information relating to certification can be found on [www.passivehouse.com](http://www.passivehouse.com) and [passipedia.org](http://passipedia.org).

## Validated installations



Frame values		Frame width $b_f$ mm	$U$ -value frame $U_f$ W/(m <sup>2</sup> · K)	$\Psi$ -glazing edge $\Psi_g$ W/(m · K)	Temp. Factor $f_{Rsi=0.25}$ [-]
Bottom	(OB1)	112	1.10	0.034	0.70
Top	(OH1)	95	1.08	0.034	0.70
Lateral	(OJ1)	92	1.11	0.037	0.70
Spacer: TGI			Secondary seal: Polysulfid		

