

VML cable guide awning blinds I submit form to request for quotation and pricing of products I submit form to order products**Data of person submitting request for quotation:**

Name & Surname / Company

Address:.....

Phone:..... mail:.....

Data for the invoice (in case of ordering the product)

Name & Surname / Company

Address:.....

Tax Identification Number:.....

I submit form to request for quotation and pricing of products

Name & Surname / Company

Address:.....

Phone:..... mail:.....

Pursuant to article 24, paragraph 1 of the Act of 29 August 1997 on personal data protection (uniform text, Journal of Laws, 2015.2135 of 2015.12.16) we inform that:

- 1) The administrator of your personal data is FAKRO sp. z o.o. with headquarters based in Nowy Sacz (33-300), Wegierska 144a St.
- 2) Your personal data will be processed for the purposes of placing an order or submitting a request for quotation. The administrator can use the services of specialized companies (subcontractors) to perform these services. Subcontractors will have access only to the data that are necessary for the implementation of these services.
- 3) You have the right to access your data, correct them and request their removal.
- 4) Providing personal data is voluntary with the reservation that submitting them is necessary to perform these services.

Please note:

Having completed this form, please contact our Technical Advisor or Distributor.

Dimensions of vertical awning blinds

Dimension	Window 1	Window 2	Window 3	Window 4	Window 5	Window 6	Window 7
A* [mm]							
B* [mm]							

PLEASE NOTE:

The "A" and "B" dimensions must be measured in the narrowest point of the lining recess.

*Measured "A" and "B" dimensions must be reduced to allow for the so-called installation clearance.

Parameters of awning blinds

Awning blind version							
Cable outlet side							
Cable outlet direction							
Fabric type							
Colour of aluminium profiles							
Colour of plastic details							
Cassette shape							
Cassette height							
Additional components of power supply/control							

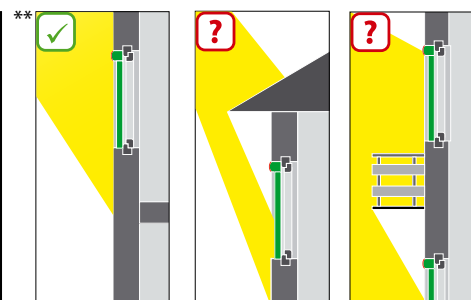
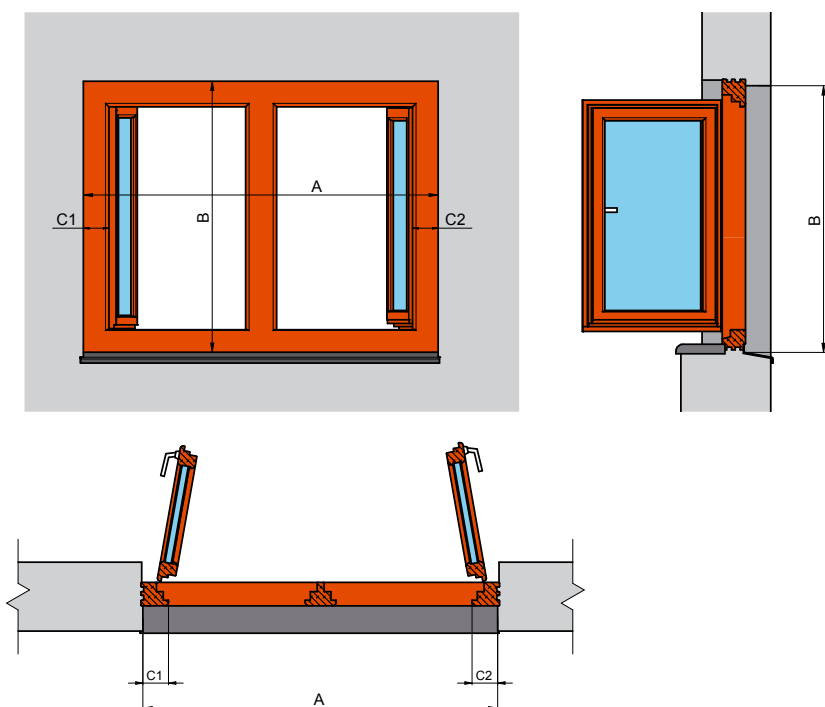
PLEASE NOTE: For correct dimensioning of windows, selection and installation of awning blinds, refer to the special installation conditions before placing an order (see page 3).

A - LINING RECESS WIDTH - AWNING BLIND WIDTH	
-VML Z-WAVE -VML WIFI TUYA	Minimum width A min = 480 mm Maximum width A max = 4000 mm
-VML ELECTRO 230	Minimum width A min = 570 mm Maximum width A max = 4000 mm
-VML Z-WAVE SOLAR	Minimum width A min = 655 mm Maximum width A max = 4000 mm

B - LINING RECESS HEIGHT	
-VML Z-WAVE -VML WIFI TUYA	Minimum height B min = 400 mm Maximum height B max = 4000 mm
-VML ELECTRO 230	
-VML Z-WAVE SOLAR	

AWNING BLIND VERSION	VML Z-Wave – power supply unit and control device must be additionally purchased VML Z-Wave Solar** – battery included, control device must be additionally purchased VML WiFi Tuya – power supply unit must be additionally purchased VML Electro 230 – switch must be additionally purchased
CABLE OUTLET SIDE	Left/right (view from inside the room).
CABLE OUTLET DIRECTION	Directions to choose from: SIDE, UP, BACK, NO***. It is possible to leave the cable in the cassette. Please select the NO option (no cable outlet).
FABRIC TYPE	Fabric with 10% open area: 089, 090, 091 Fabric with 4% open area: 701, 702, 703, 704, 705, 706, 707, 708, 709, 710, 711, 712, 713, 714, 715 Fabric with 1% open area: 092, 093
COLOUR OF ALUMINIUM PROFILES	Standard colours: RAL 7022, RAL 8003, RAL 9005, RAL 9010. Profiles can be manufactured in any colour. Please provide colour from the RAL Palette.
COLOUR OF PLASTIC DETAILS	RAL 7022, RAL 8003, RAL 9005, RAL 9010
CASSETTE SHAPE	Available cassettes: Type A (oval), Type B (rectangular), Type C (round). When choosing a round cassette, the Solar awning blind is equipped with an external solar panel. There is an opening in the access panel of the awning blind through which the cable must be routed. An installation location for an external solar panel must be provided. The length of the cable connecting the panel and awning blind is 3 metres.
CASSETTE HEIGHT	Cassette 85 mm (available in awning blinds sized: 480-2500 x 400-3000 mm) Cassette 100 mm (available in full size range)
ADDITIONAL COMPONENTS OF POWER SUPPLY/ CONTROL	Additional power supply elements: ZZ60 power supply unit, ZZ60h power supply unit, additional ZPV panel (only for VML Solar). Additional Z-Wave control elements: ZRH12 & ZRS24 remote controls, ZRW7 control keypad. Additional Electro 230 control elements: ZKP & ZKN switch.

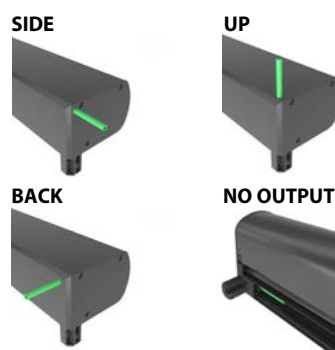
Illustrative drawings to take measurements of vertical windows



When installing the VML Z-Wave Solar awning blind under balconies or canopies it is required to purchase an additional power panel unit. The awning blind shaded by a balcony or eaves can be controlled automatically by another blind for vertical or roof windows which is exposed directly to the sun.

The panel charges the batteries and acts as a solar sensor.

***Cable output direction



Special installation conditions

Dimension	Window 1	Window 2	Window 3	Window 4	Window 5	Window 6	Window 7
C							
D							
J							
H							

C - WIDTH OF THE VISIBLE FRAME ELEMENT IN THE SIDE PART

VML Z-WAVE, VML Z-WAVE SOLAR,
VML WIFI TUYA,
VML ELECTRO 230

For C1, C2 < 30 mm, installation only to the sill

D - HEIGHT OF THE VISIBLE FRAME ELEMENT IN THE UPPER PART

VML Z-WAVE, VML Z-WAVE SOLAR,
VML WIFI TUYA,
VML ELECTRO 230

Cassette 85 mm: for D < 85 mm, the cassette will be visible from inside the room after opening the window
Cassette 100 mm: for D < 100 mm, the cassette will be visible from inside the room after opening the window
For D < 22 mm, the cassette fitted only to the lining recess

J - EAVES DEPTH

VML Z-WAVE, VML Z-WAVE SOLAR,
VML WIFI TUYA,
VML ELECTRO 230

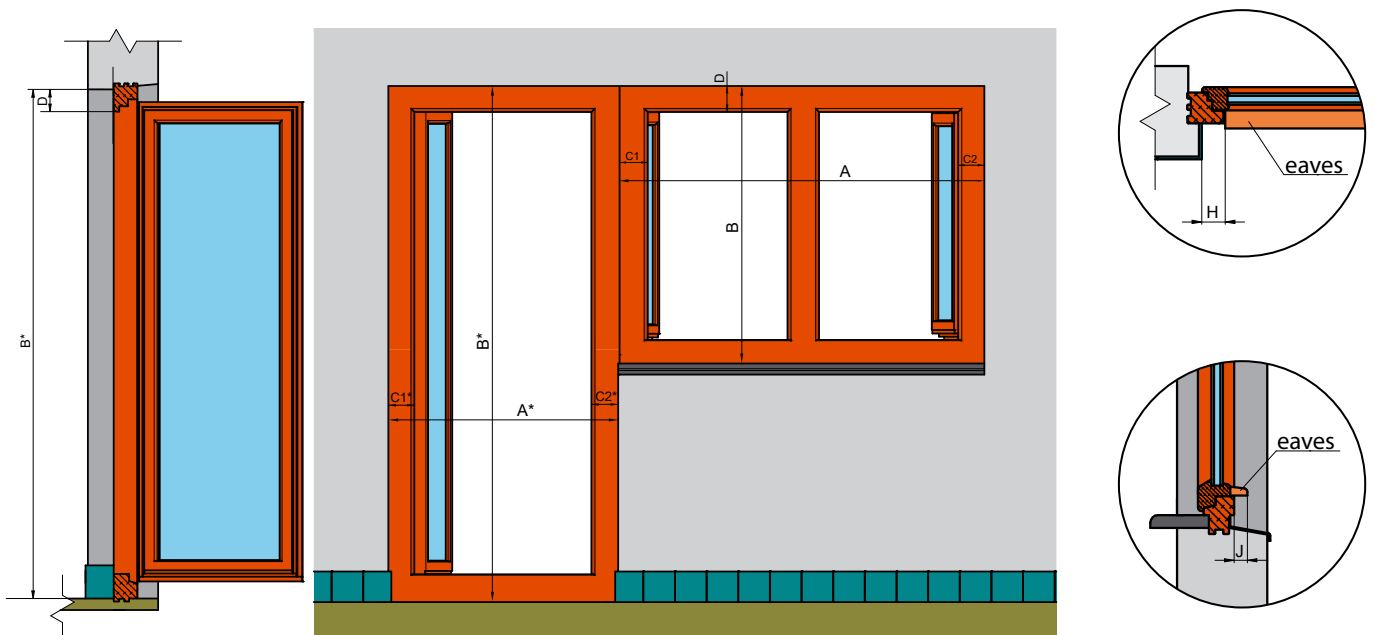
For J > 30 mm, full unfolding of the awning blind will not be possible

H - DISTANCE OF EAVES FROM LINING

VML Z-WAVE, VML Z-WAVE SOLAR,
VML WIFI TUYA,
VML ELECTRO 230

For H < 36 mm, eaves will prevent installation of the bottom bracket

Illustrative drawings to take measurements of vertical windows - special installation conditions

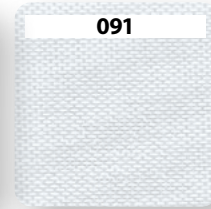
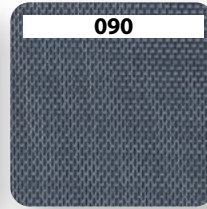


FABRIC TYPES

GROUP I



(fabric with **10%** open area)



GROUP II



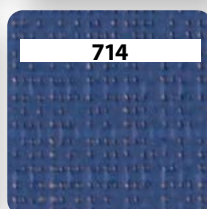
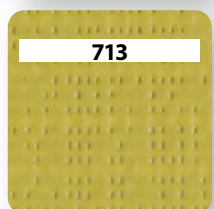
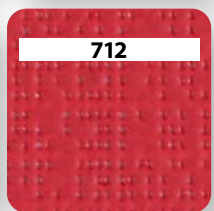
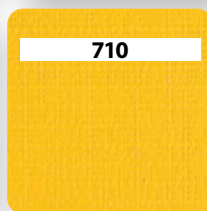
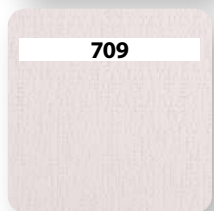
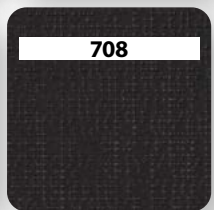
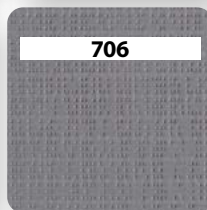
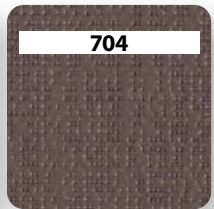
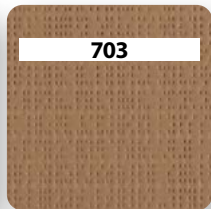
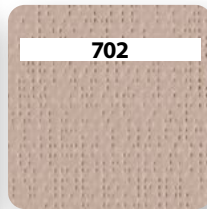
(fabric with **1%** open area)



GROUP III



(fabric with **4%** open area)



PROFILE COLOURS

Standard colours

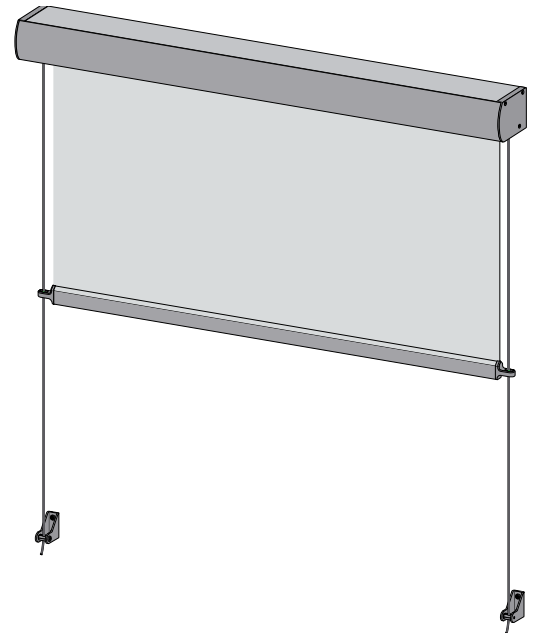
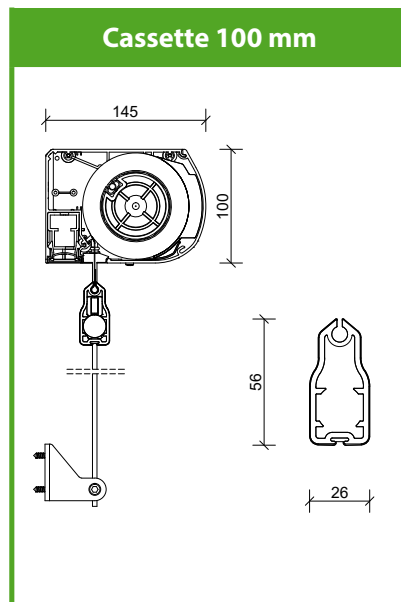
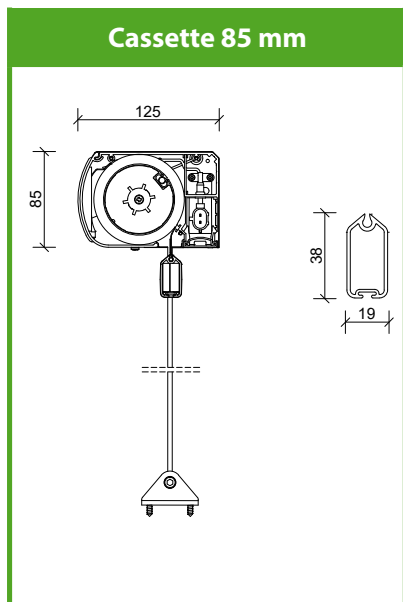


Any colour from the RAL palette*

* When choosing profiles in any RAL colour (excluding standard ones) plastic finishes will be selected from one of standard colours.

DETAILED DIMENSIONS OF AWNING BLINDS

ELECTRICALLY CONTROLLED AWNING BLINDS



NOTES:

.....

.....

.....

.....

.....

.....

.....

.....

.....

.....